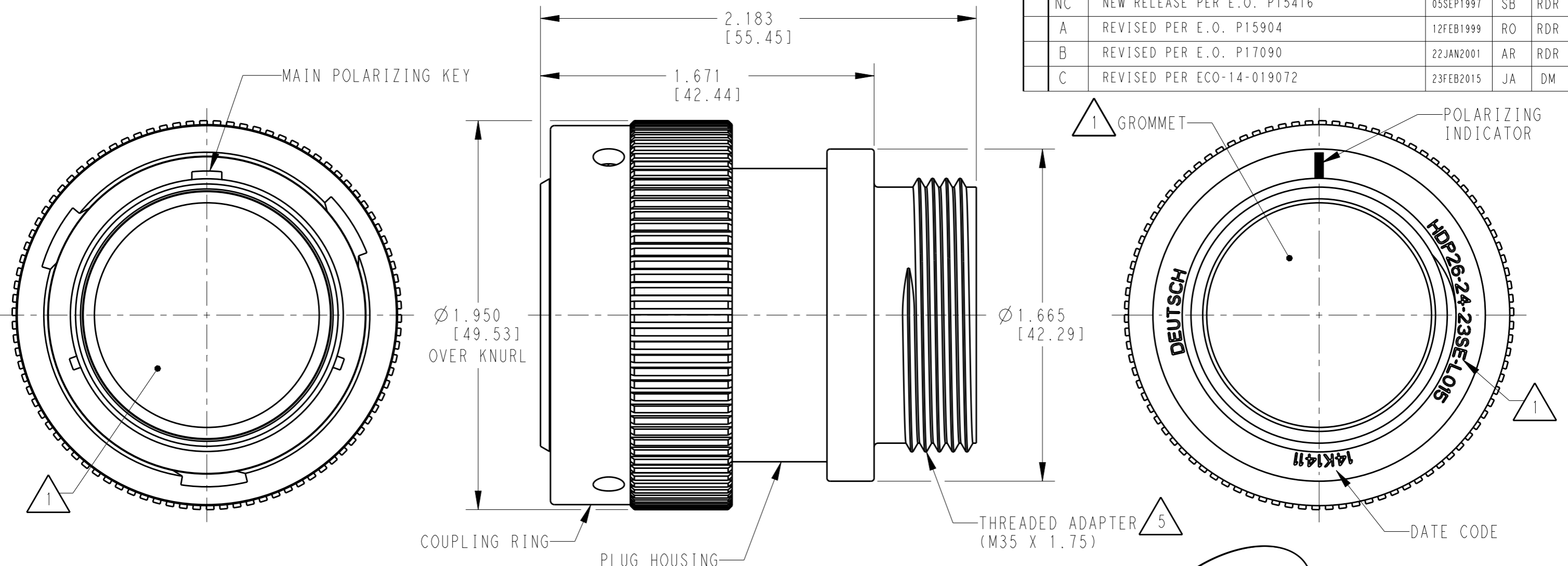


LOC	DIST	REVISIONS				
P	LTR	DESCRIPTION	DATE	DWN	APVD	
		NC	NEW RELEASE PER E.O. P15416	05SEP1997	SB	RDR
		A	REVISED PER E.O. P15904	12FEB1999	RO	RDR
		B	REVISED PER E.O. P17090	22JAN2001	AR	RDR
		C	REVISED PER ECO-14-019072	23FEB2015	JA	DM



6. PART MODIFICATION: THREADED ADAPTER

5 CONDUIT ADAPTER ACCEPTS EITHER TYPES:
 A. CONDUIT ADAPTER CAP NUT (CN21) AND SEAL RING (SRN21)
 B. BACKSHELL (M902-2243), COMPRESSION NUT (M902-2053), CABLE Ø .430-.570 [10.92-14.78]
 C. BACKSHELL (M902-2244), COMPRESSION NUT (M902-2054), CABLE Ø .570-710 [14.78-18.03]

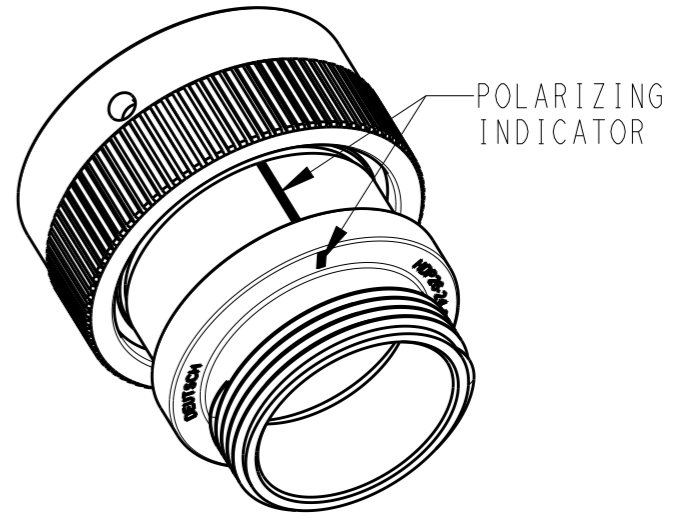
4 MATERIAL: PLUG HOUSING/COUPLING RING: PA66 GF10 (BLACK)
 CONDUIT ADAPTER: PA66 GF10 (GREEN, GRAY, BLUE)
 GROMMET: SILICONE (ORANGE-RED)

3 SEE 0425-021-0000 APPLICATION SPECIFICATION
 A. RECOMMENDED WIRE INSULATION RANGE
 B. CONTACT REMOVAL TOOLS

2. THIS PLUG MATES WITH HDP24-24XXP/SX-XXXX RECEPTACLE
 X = SEAL TYPE (N,T,E)
 XX = INSERT ARRANGEMENT
 XXXX = MODIFICATION

1 SEE CUSTOMER DRAWING 0425-014-2400 FOR AVAILABLE INSERT ARRANGEMENTS AND PART NUMBERS.

NOTES:



SCALE 1:1

THIS DRAWING IS A CONTROLLED DOCUMENT.		DWN	19 JAN 1999	TE Connectivity	
		CHK	15 JAN 2001		
		APVD	15 JAN 2001		
		NAME	STEVE BEARD		
DIMENSIONS: INCHES [mm]		TOLERANCES UNLESS OTHERWISE SPECIFIED:		NAME PLUG, COUPLING RING SIZE 24, -L015 MOD HDP SERIES	
		0 PLC	±	PRODUCT SPEC 0425-021-0000	
		1 PLC	±	APPLICATION SPEC	
		2 PLC	±	3	
		3 PLC	± .015 [0.38]		
		4 PLC	±		
		ANGLES	± 0° 30' 0"		
MATERIAL		FINISH		SIZE	
4		N/A		A3	
				CAGE CODE	
				4AFU8	
				DRAWING NO	
				G-HDP26-24-XXP/SX-L015	
				RESTRICTED TO	
				SCALE	
				2:1	
				SHEET	
				1 OF 1	
				REV	
				C	